

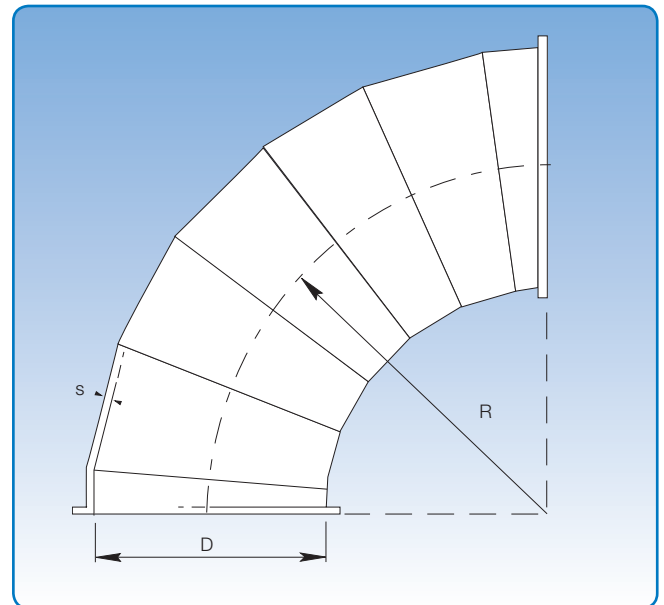
## Segment bends, galvanised

**Technical catalogue:** Galvanised  
**Section:** 01  
**Page:** 6/16  
**Revised:** 01.05.2009

Diameter:  $\varnothing 450 - \varnothing 1000$  mm.

Galvanised segment bends are made from 0.90 mm and 1.00 mm sheet metal (s).

They are available in other radii and dimensions to order.



Dimensional specifications are given in the table below.  
 $R = 1.5 \times D$  for all dimensions.

Dimensions													
D mm	s mm	90°		60°		45°		30°		15°		7.5°	
		Item no.	kg	Item no.	kg	Item no.	kg	Item no.	kg	Item no.	kg	Item no.	kg
450	0,90	1185792	12,00	1185762	9,00	1185742	6,00	1185732	4,50	1185712	2,25	1185702	1,10
500	0,90	1186792	15,00	1186762	11,20	1186742	7,50	1186732	5,60	1186712	2,80	1186702	1,40
550	0,90	1187792	18,00	1187762	13,50	1187742	9,00	1187732	6,80	1187712	3,40	1187702	1,70
600	0,90	1188792	21,50	1188762	16,10	1188742	10,75	1188732	8,05	1188712	4,00	1188702	2,00
630	0,90	1189792	22,40	1189762	16,80	1189742	11,20	1189732	8,40	1189712	4,20	1189702	2,10
650	0,90	1190792	25,00	1190762	18,80	1190742	12,50	1190732	9,40	1190712	4,70	1190702	2,35
700	0,90	1191792	29,00	1191762	21,80	1191742	14,50	1191732	10,90	1191712	5,40	1191702	2,70
750	0,90	1192792	33,00	1192762	24,80	1192742	16,50	1192732	12,40	1192712	6,20	1192702	3,10
800	1,00	1193792	37,50	1193762	28,10	1193742	18,75	1193732	14,05	1193712	7,00	1193702	3,50
850	1,00	1194792	42,50	1194762	32,00	1194742	21,25	1194732	16,00	1194712	8,00	1194702	4,00
900	1,00	1195792	48,00	1195762	36,00	1195742	24,00	1195732	18,00	1195712	9,00	1195702	4,50
950	1,00	1196792	53,00	1196762	39,80	1196742	26,50	1196732	20,00	1196712	10,00	1196702	5,00
1000	1,00	1197792	59,00	1197762	44,00	1197742	29,50	1197732	22,00	1197712	11,00	1197702	5,50

Item numbers designated  $D \leq 800$  mm are for segment bends assembled using pull rings [f.b]. Item numbers designated  $D \geq 850$  mm are for ducts with loose flanges [f.b.m.fl].

Segment bends are also available for other assembly methods. See p. 6 for assembly methods.