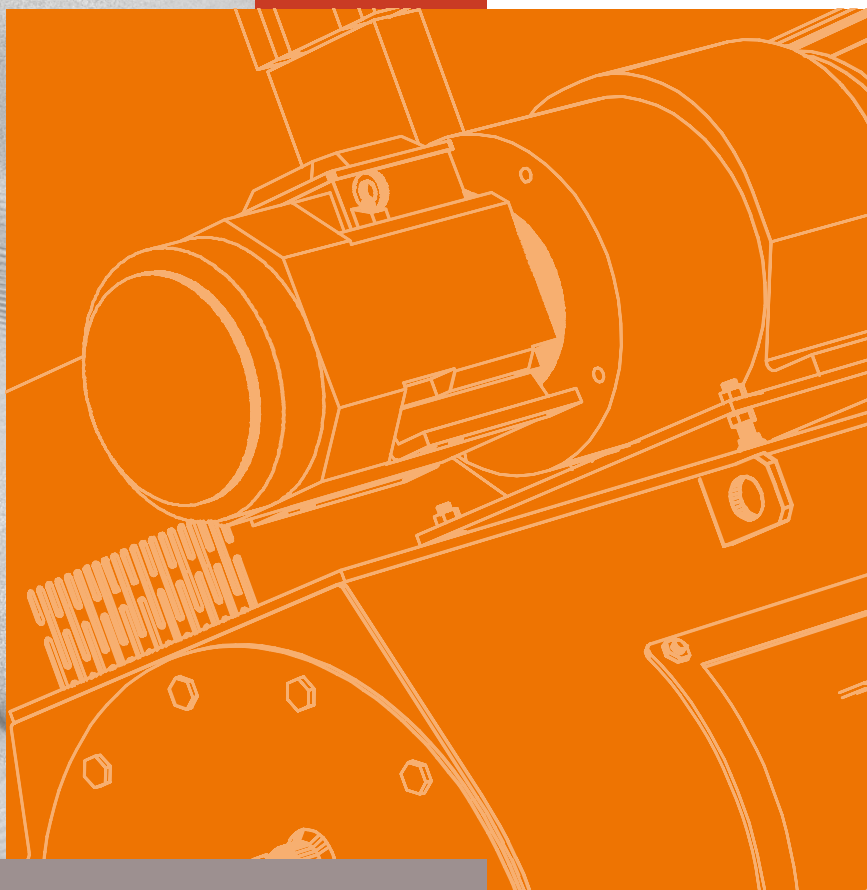




la meccanica
Technology & Creativity at your Service



CLM 630 300HP

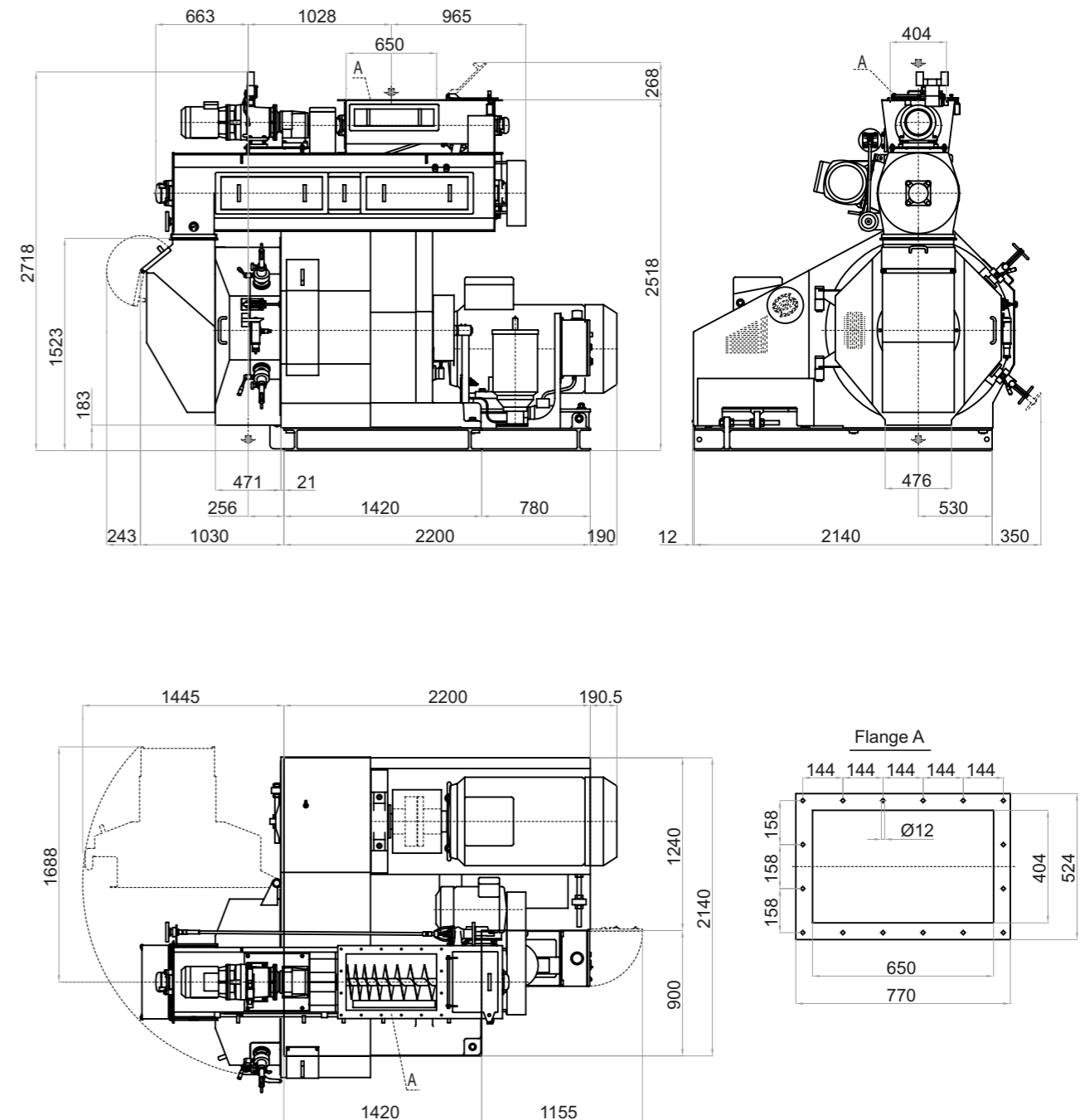
Feeds

PELLET
MILL



PELLET MILL CLM 630 300hp

PELLET MILL	PRESSE A GRANULAIRE	PRESSA CUBETTATRICE	PRENSA GRANULADORA	CLM 630 300HP			
Screw feeder	Vis d'alimentation	Coclea di alimentazione	Còclea de alimentacion	C245			
Diameter	Diamètre	Diametro	Diámetro	mm	245	in	9,65
Hydraulic speed variator	Variateur de vitesse hydraulique	Variatore idraulico	Variador de velocidad hidráulico				
Motor power	Puissance	Potenza	Potencia motor	kW	4,0	hp	5,5
Speed	Vitesse	Velocità	Velocidad	0-158 rpm			
Conditioner	Conditionneur	Condizionatore	Acondicionator	M500.2310			
Diameter	Diamètre	Diametro	Diámetro	mm	500	in	19,7
Lenght	Longeur	Lunghezza	Longitud	mm	2310	in	90,9
Volum	Volume	Volume	Volumen	dm ³	453,3	ft ³	16,0
Motor power*	Puissance*	Potenza*	Potencia motor*	kW	15,0	hp	20,0
Belts	Courroies	Cinghie	Correas	n.5 belts			
RPM	RPM	RPM	RPM	405			
Volum	Volume	Volume	Volumen	dm ³	453,3	ft ³	16,0
Pellet mill Bloc	Bloc Presse	Blocco Pressa	Bloque prensa	CLM 630 300HP			
Main motor power	Puissance moteur principal	Potenza motore principale	Motor Principal	kW	200	hp	270
Main pulley	Poulie conduit	Puleggia cond.	Polea principal	mm	1105	in	43,5
Die speed	Vitesse filiere	Velocità filiera	Velocidad matriz	m/sec	6,0	ft/sec	19,7
Belts	Courroies	Cinghie	Correas	n.22 belts type 5V-1800/2000			
Die	Filiere	Trafila	Matriz	Die Lamec 630.200			
Inner diameter	Diamètre int.	Diametro interno	Diámetro int.	mm	630	in	24,80
Working width	Bande de travail	Larghezza utile	Anchura de trabajo	mm	200	in	7,87
Total width	Largeur totale	Larghezza totale	Anchura total	mm	260	in	10,24
Working surface	Surface de travail	Superficie utile	Superficie útil	dm ²	39,56	in ²	613,2
Die	Filiere	Trafila	Matriz	Die Lamec 630.240			
Inner diameter	Diamètre int.	Diametro interno	Diámetro int.	mm	630	in	24,80
Working width	Bande de travail	Larghezza utile	Anchura de trabajo	mm	240	in	9,45
Total width	Largeur totale	Larghezza totale	Anchura total	mm	310	in	12,20
Working surface	Surface de travail	Superficie utile	Superficie útil	dm ²	47,50	in ²	735,90
Roll type	Galets	Rulli tipo	Rodillos	Rolls Lamec 630.200 & 630.240			
N. rolls	N. de galets	N. rulli	N. rodillos	2			
Diameter	Diamètre	Diametro	Diámetro	mm	310	in	12,2
WEIGHTS	POIDS	PESI	PESOS				
Bloc press	Bloc press	Blocco pressa	Peso del bloque				
Without main motor	Sans moteur principal	Motore principale escluso	Sin el motor principal	kg	5.500	lb	12.122
With main motor	Avec moteur principal	Motore principale incluso	Con el motor principal	kg	6.800	lb	14.987
Screw feeder and conditioner	Vis d'alimentation et conditionneur	Coclea di alimentazione e condizionatore	Peso del alimentador y del acondicionador	kg	990	lb	2.182
Total Weight	Poids Total	Peso totale	Peso total				
Main motor excluded	Moteur principal exclu	Motore principale escluso	Motor principal excluido	kg	6.500	lb	14.326
Main motor included	Moteur principal inclu	Motore principale incluso	Motor principal incluido	kg	7.900	lb	17.412



CLM
630
300HP

THIS MODEL IS PART OF THE SERIES

"630" units and uses interchangeable series 630 spare parts. It can handle motors of up to 220 kW (300 hp). It is our most popular, most widespread model thanks to its simplicity and solid construction. Its quality/price ratio makes it an excellent choice. Maintenance costs and machine down time is lower than that of the competition.

The pellet mill can handle three different size dies:

- narrow die, Lamec 630.150 (for working extremely fibrous feed)
- wide die, Lamec 630.200 (for working cattle feed).
- extra-wide die, Lamec 630.240 (for working cereal-rich and high-fat feeds).

A "COMPACT" model of this mill is also available which is smaller and requires less space.

Capacity: 12 - 18 t/h

Overall dimension: 2150 x 3280 x 2700 mm

Compact model: 1540 x 3180 x 2720 mm



ANIMAL FEEDS

la meccanica
Technology & Creativity at your Service



LA MECCANICA SRL DI REFFO

administration and production: via nicolini, 1
loc. faccia - 35013 cittadella - pd - italy
tel: +39 049 9419000 - fax: +39 049 5972171
lameccanica@lameccanica.it



www.lameccanica.it

Silokonsult
PROCESSTEKNIK SWEDEN AB

Kämpagatan 1
SE-532 36 Skara
+46 511 10365
info@silokonsult.se
www.silokonsult.se