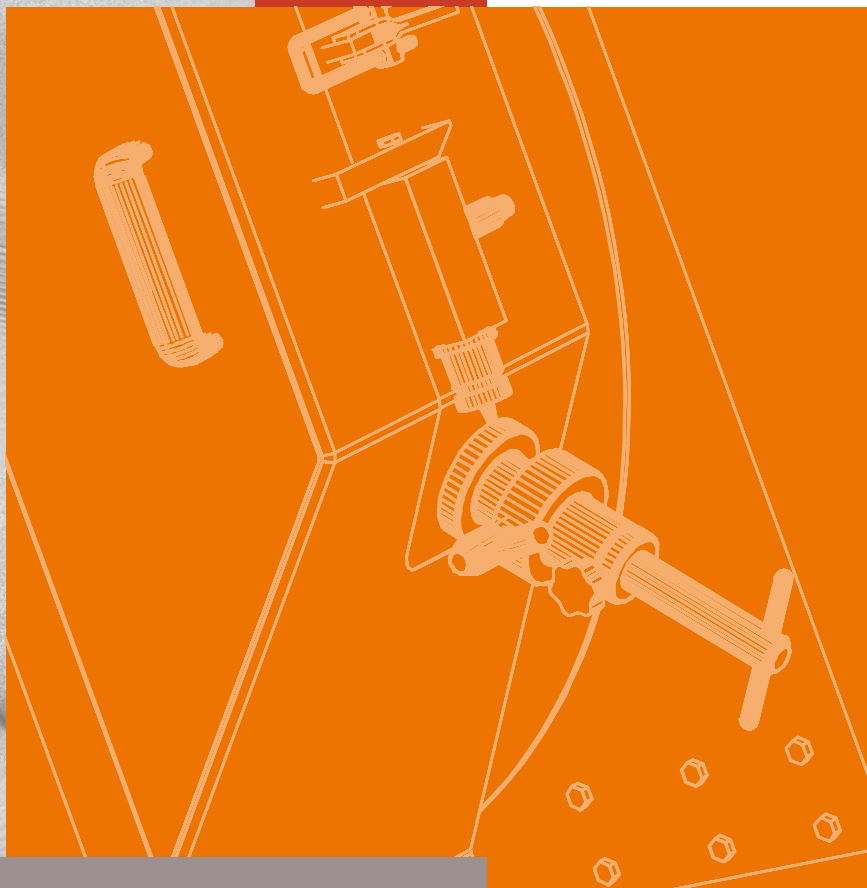




la meccanica  
Technology & Creativity at your Service



# CLM 520 220HP

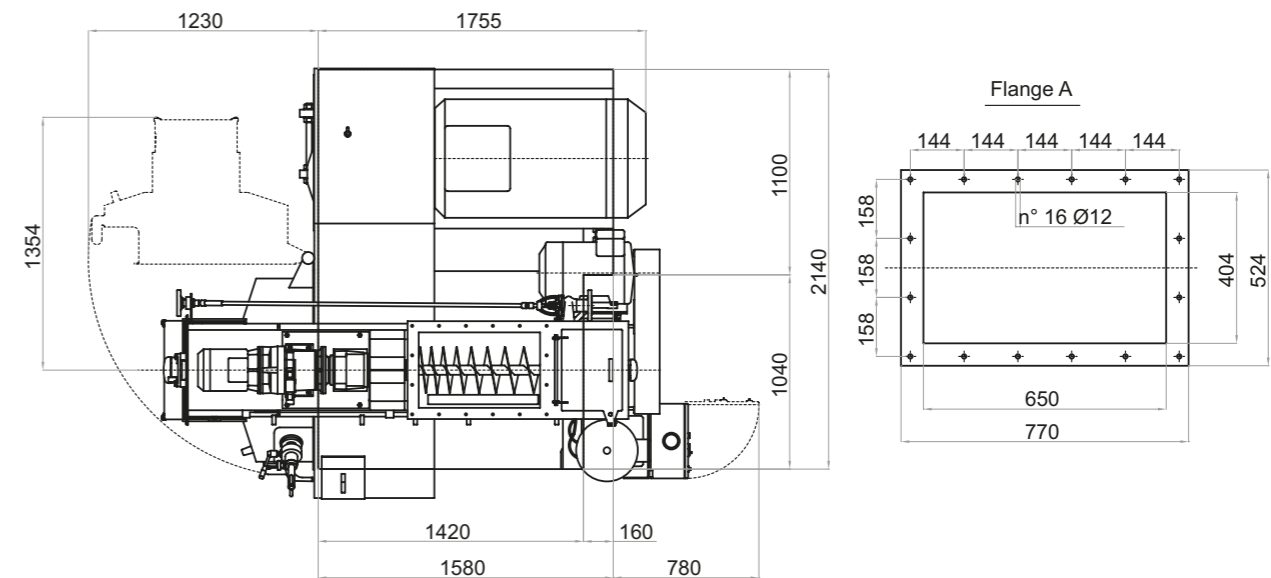
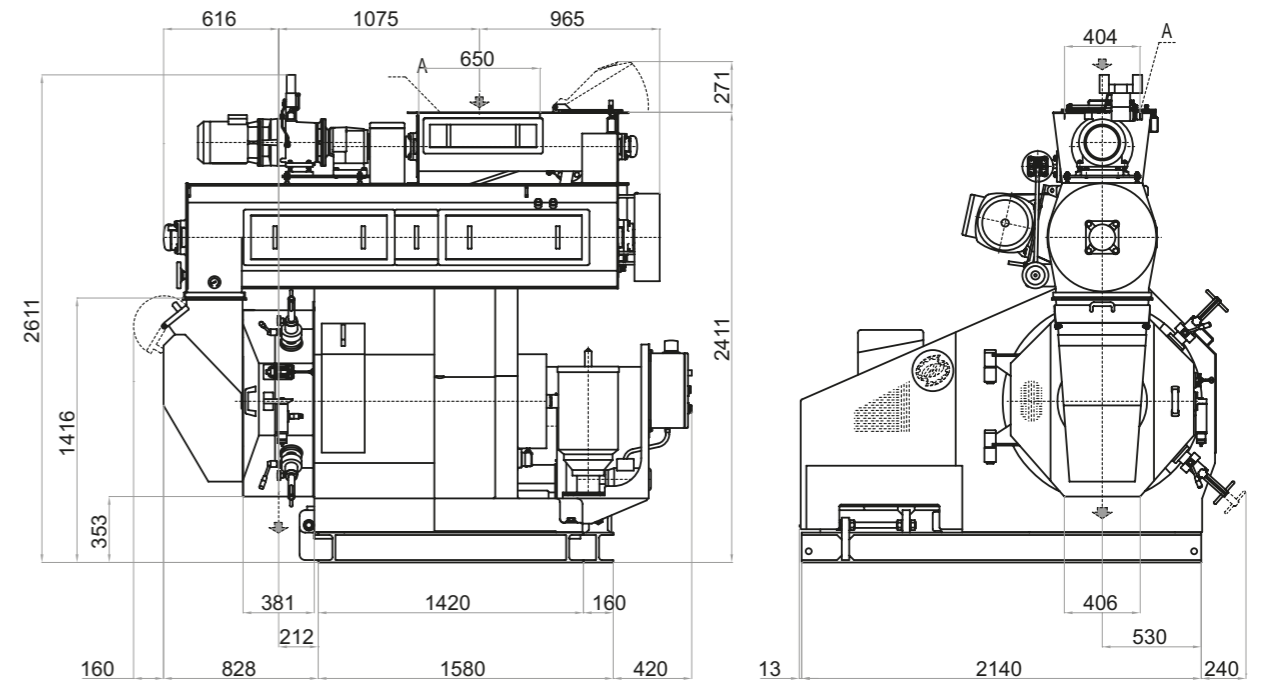
Feeds

PELLET  
MILL



## PELLET MILL CLM 520 220hp

PELLET MILL	PRESSE A GRANULAIRE	PRESSA CUBETTATRICE	PRENSA GRANULADORA	CLM 520 220 HP			
Screw feeder	Vis d'alimentation	Coclea di alimentazione	Còclea de alimentaciòn	C245			
Diameter	Diamètre	Diámetro	Diàmetro	mm	245	in	9,65
Motor power	Puissance	Potenza	Potencia motor	kW	4,0	hp	5,5
Speed	Vitesse	Velocità	Velocidad	0-158 rpm			
Conditioner	Conditionneur	Condizionatore	Acondicionator	M500.2310			
Diameter	Diamètre	Diámetro	Diàmetro	mm	500	in	19,7
Lenght	Longeur	Lunghezza	Longitud	mm	2310	in	90,9
Volum	Volume	Volume	Volumen	dm³	453,3	ft³	16,0
Motor power	Puissance	Potenza	Potencia motor	kW	15,0	hp	20,0
Pellet mill Bloc	Bloc Presse	Blocco Pressa	Bloque prensa	CLM 520 220HP			
Main motor power	Puissance moteur principal	Potenza motore principale	Motor Principal	kW		hp	
				160	220		
Main pulley	Poulie conduit	Puleggia cond.	Polea principal	mm	960	in	37,8
				mm	1105	in	43,5
Die speed	Vitesse filiere	Velocità filiera	Velocidad matriz	m/sec	6,0	ft/sec	19,7
				m/sec	7,5	ft/sec	24,6
Belts	Courroies	Cinghie	Correas	n.15 belts type 5V-1800/2000			
Die	Filiere	Trafila	Matriz	Die Lamec 520.138			
Inner diameter	Diamètre int.	Diámetro interno	Diàmetro int.	mm	520	in	20,47
Working width	Bande de travail	Larghezza utile	Anchura de trabajo	mm	138	in	5,43
Total width	Largeur totale	Larghezza totale	Anchura total	mm	182	in	7,17
Working surface	Surface de travail	Superficie utile	Superficie útil	dm²	22,53	in²	349,2
Die	Filiere	Trafila	Matriz	Die Lamec 520.170			
Inner diameter	Diamètre int.	Diámetro interno	Diàmetro int.	mm	520	in	20,47
Working width	Bande de travail	Larghezza utile	Anchura de trabajo	mm	170	in	6,69
Total width	Largeur totale	Larghezza totale	Anchura total	mm	214	in	8,43
Working surface	Surface de travail	Superficie utile	Superficie útil	dm²	27,76	in²	430,2
Roll type	Galets	Rulli tipo	Rodillos	Rolls Lamec 520.138 & Lamec 520.138			
N. rolls	N. de galets	N. rulli	N. rodillos	2			
Diameter	Diamètre	Diámetro	Diàmetro	mm	250	in	9,84
WEIGHTS	POIDS	PESI	PESOS				
Bloc press	Bloc press	Blocco pressa	Peso del bloque				
Without main motor	Sans moteur principal	Motore principale escluso	Sin el motor principal	kg	4.134	lb	9.111
With main motor	Avec moteur principal	Motore principale incluso	Con el motor principal	kg	5.404	lb	11.910
Screw feeder and conditioner	Vis d'alimentation et conditionneur	Coclea di alimentazione e condizionatore	Peso del alimentador y del acondicionador	kg	1.345	lb	2.964
Total Weight	Poids Total	Peso totale	Peso total				
Main motor excluded	Moteur principal exclu	Motore principale escluso	Motor principal excluido	kg	5.200	lb	11.461
Main motor included	Moteur principal inclu	Motore principale incluso	Motor principal incluido	kg	6.400	lb	14.106



CLM  
520  
220HP

### **THIS MODEL IS PART OF THE SERIES**

"520" units and uses interchangeable series 520 spare parts. It is the evolution of the CLM 520.180, redesigned to handle higher power (up to 160 kW) in the production of even fiberrich formulas. It is, therefore, a heavier version of the previous model and, thanks to its basement, can be used with larger motors. It can be fit with a narrow die, Lamec 520.138 (for working extremely fibrous feed), or a wide die, Lamec 520.170 (for working cereal-rich feed). A "COMPACT" model of this mill is also available which is smaller and requires less space.

Capacity: 9 - 12 t/h

Overall dimension: 2140 x 2475 x 2470 mm



ANIMAL FEEDS

la meccanica  
Technology & Creativity at your Service



LA MECCANICA SRL DI REFFO

administration and production: via nicolini, 1  
loc. faccia - 35013 cittadella - pd - italy  
tel: +39 049 9419000 - fax: +39 049 5972171  
lameccanica@lameccanica.it



[www.lameccanica.it](http://www.lameccanica.it)

**Silokonsult**  
PROCESSTEKNIK SWEDEN AB

Kämpagatan 1  
SE-532 36 Skara  
+46 511 10365  
info@silokonsult.se  
www.silokonsult.se