



la meccanica
Technology & Creativity at your Service

CLM 1000 500HP

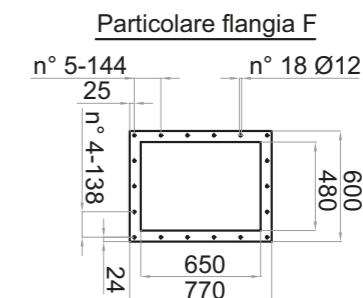
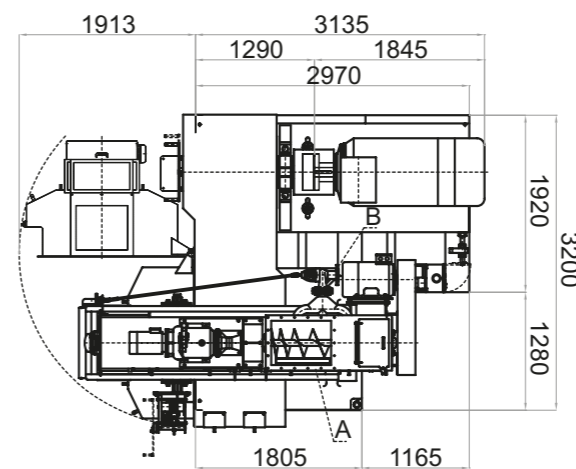
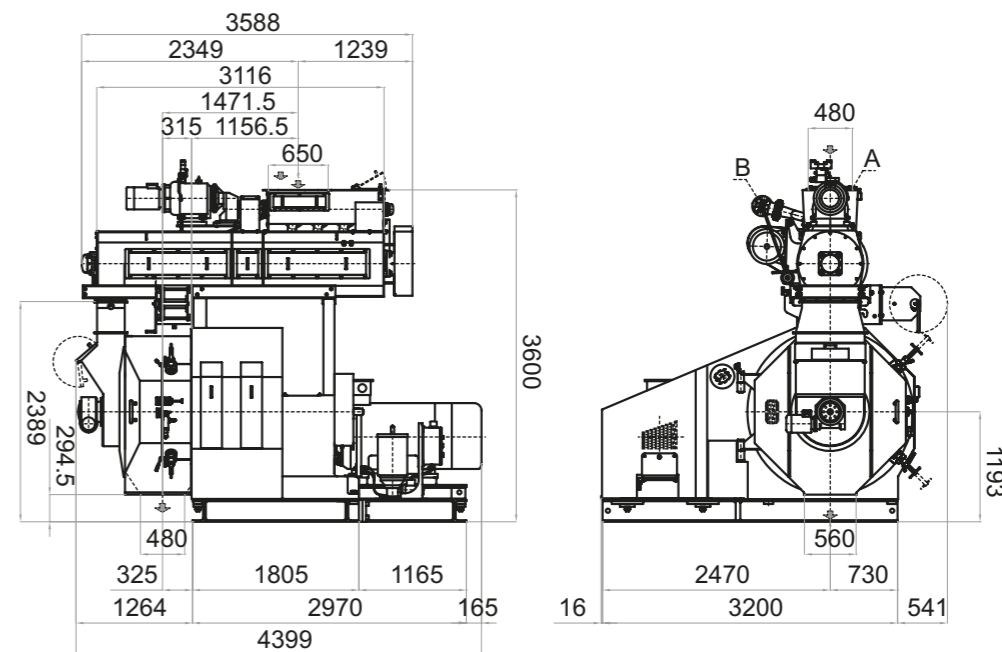
PELLET
MILL

Feeds

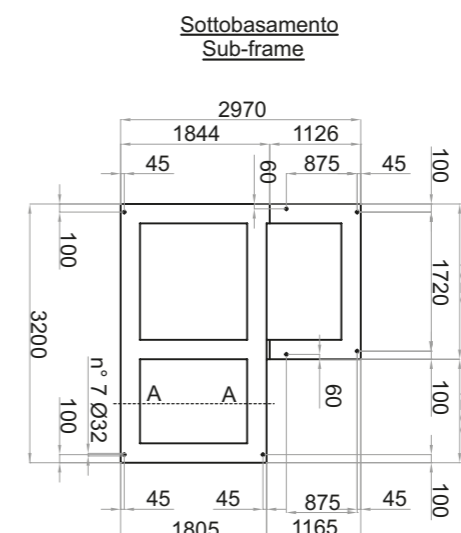


PELLET MILL CLM 1000 500hp

PELLET MILL	PRESSE A GRANULAIRE	PRESSA CUBETTATRICE	PRENSA GRANULADORA	CLM 1000 500HP			
Screw feeder	Vis d'alimentation	Coclea di alimentazione	Còclea de alimentaciòn	C300			
Diameter	Diamètre	Diametro	Diàmetro	mm	245	in	9,65
Motor power	Puissance	Potenza	Potencia motor	kW	7,5	hp	10
Feed rate	Capacité	Capacità	Volume	dm ³ /giro	in ³ per turn		
Speed	Vitesse	Velocità	Velocidad	0-174 rpm			
Conditioner	Conditionneur	Condizionatore	Acondicionator	M600.3100 (kW 30 - 37)			
Diameter	Diamètre	Diametro	Diàmetro	mm	600	in	23,60
Length	Longeur	Lunghezza	Longitud	mm	3100	in	122
Volume	Volume	Volume	Volumen	dm ³	876	ft ³	31
Motor power	Puissance	Potenza	Potencia motor	kW	22,0	hp	29,5
Pellet mill Bloc	Bloc Presse	Blocco Pressa	Bloque prensa	CLM 1000 500HP			
Main motor power	Puissance moteur principal	Potenza motore principale	Motor Principal	kW	hp		
AC Electric				370	500		
Main pulley	Poulie conduit	Puleggia cond.	Polea principal	mm	1530	in	60
Die speed	Vitesse filiere	Velocità filiera	Velocidad matriz	m/sec	7,5	ft/sec	24,60
Belts	Courroies	Cinghie	Correas	n.36 belts type 5V-2650			
Die	Filiere	Trafila	Matriz	Die Lamec 1000.300C			
Inner diameter	Diamètre int.	Diametro interno	Diàmetro int.	mm	1000	in	39,40
Working width	Bande de travail	larghezza utile	Anchura de trabajo	mm	300	in	11,80
Total width	Largeur totale	larghezza totale	Anchura total	mm	432	in	17,00
Working surface	Surface de travail	Superficie utile	Superficie útil	dm ²	94,20	in ²	1460
Roll type	Galets	Rulli tipo	Rodillos	Rolls Lamec 1000.300C			
N. rolls	N. de galets	N. rulli	N. rodillos	2			
Diameter	Diamètre	Diametro	Diàmetro	mm	495	in	19,5
WEIGHTS	POIDS	PESI	PESOS				
Bloc press	Bloc press	Blocco pressa	Peso del bloque				
Without main motor	Sans moteur principal	Motore principale escluso	Sin el motor principal	kg	19.500	lb	42.990
With main motor	Avec moteur principal	Motore principale incluso	Con el motor principal	kg	22.000	lb	48.502
Screw feeder and conditioner	Vis d'alimentation et conditionneur	Coclea di alimentazione e condizionatore	Peso del alimentador y del acondicionador	kg	2.450	lb	5.401
Total Weight	Poids Total	Peso totale	Peso total				
Main motor excluded	Moteur principal exclu	Motore principale escluso	Motor principal excluido	kg	21.950	lb	48.391
Main motor included	Moteur principal inclu	Motore principale incluso	Motor principal incluido	kg	24.450	lb	53.903



Particolare flangia B
Valvola vapore PN16-DN100



CLM
1000
500HP

THIS IS OUR LARGEST MODEL.

It is the most recent "La Meccanica" product and it's an excellent model for large feed producers.

The machine represents the continuity of experience gained in over fifty years of work. Despite its size, it ensures the solidity and simplicity that has always characterized our machines.

Capacity: up to 45 t/h

Overall dimension: 3360 x 4400 x 2600 mm



ANIMAL FEEDS

la meccanica
Technology & Creativity at your Service



LA MECCANICA SRL DI REFFO

administration and production: via nicolini, 1
loc. facca - 35013 cittadella - pd - italy
tel: +39 049 9419000 - fax: +39 049 5972171
lameccanica@lameccanica.it



www.lameccanica.it

Silokonsult
PROCESSTEKNIK SWEDEN AB

Kämpagatan 1
SE-532 36 Skara
+46 511 10365
info@silokonsult.se
www.silokonsult.se