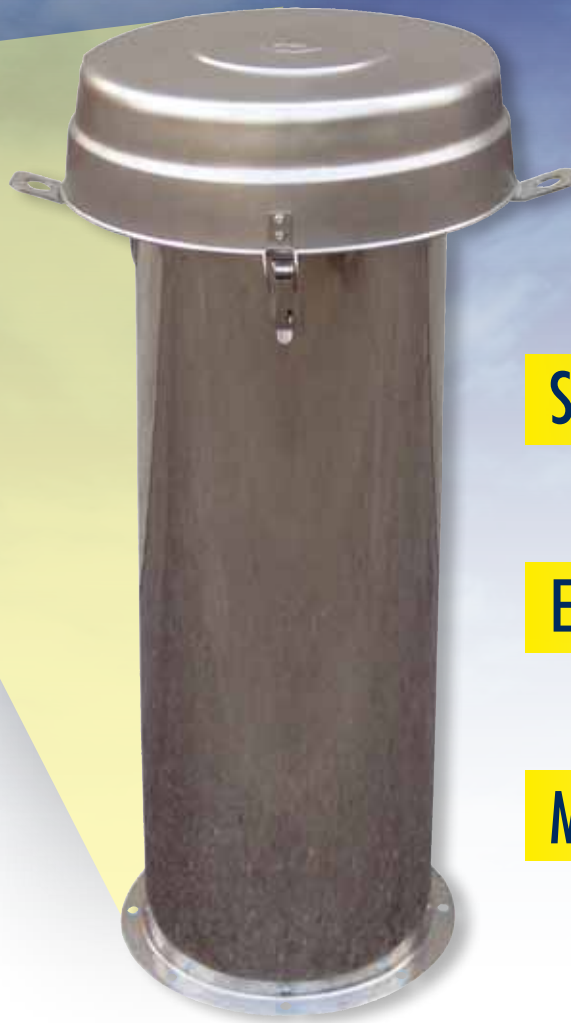
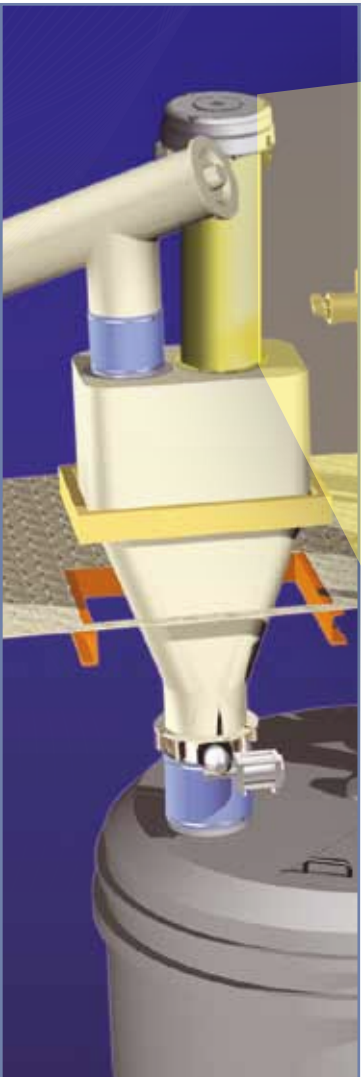


# HOPPERTOP

Weigh Hopper Venting Filter



**SMALL FOOTPRINT**

**EASY TO ASSEMBLE**

**MAINTENANCE-FRIENDLY**

# HOPPERTOP

Weigh Hopper Venting

## THE TOP CHOICE FOR HOPPER VENTING IN CONCRETE PLANTS

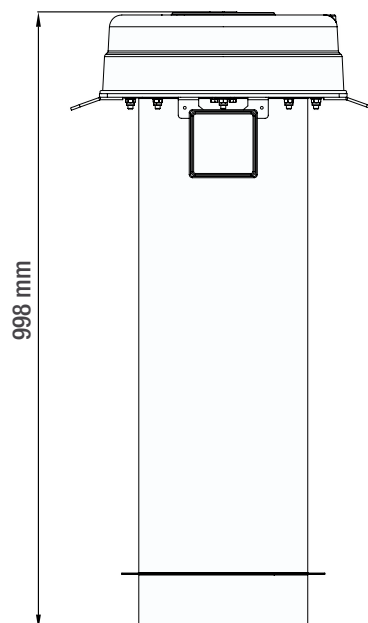
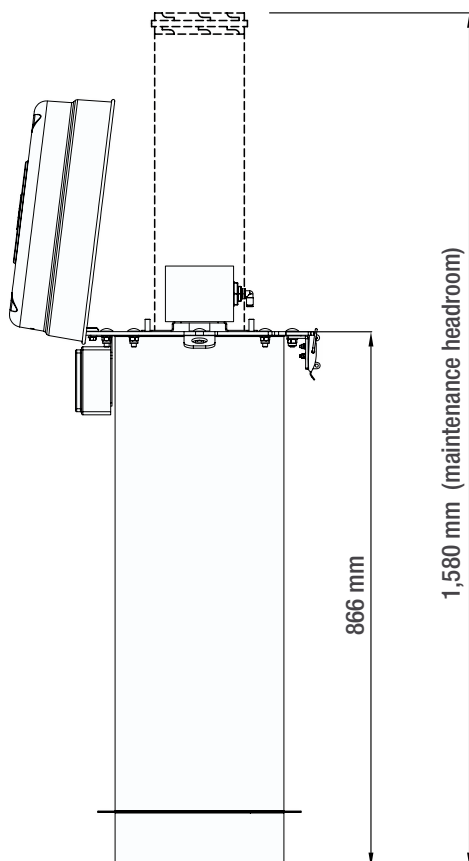
HOPPERTOP is a COMPACT air filter specially developed for venting of mechanically loaded cement weigh hoppers in concrete plants.

Dust which is separated from the air flow by a single patented WAM® cartridge filter element drops back into the hopper after an integrated automatic reverse air jet cleaning system inside the weather protection cover has removed the dust particles from the filter elements.

### Features

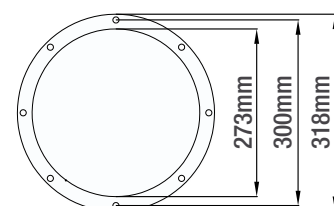
- Compact dimensions
- Stainless steel design
- Hinged cover
- High-performance quality filter cartridge
- Cartridge removal without tools

### Overall Dimensions



MODEL	TYPE	FILTER SURFACE (m <sup>2</sup> )
HTP10001V	VENTING	1
HTP10001R	FLANGE CONNECTION	1

**BOTTOM FLANGE**



## Benefits



Maintenance height:  
870mm



Durable stainless steel  
design



Easy maintenance  
thanks to hinged top  
cover and cartridge  
removal without tools



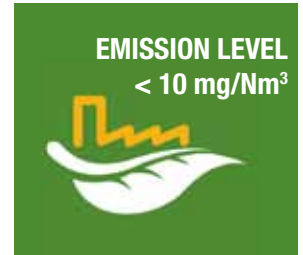
15 Kg



Small footprint, easy to  
handle



Durable thanks to  
special cartridge pleat  
geometry

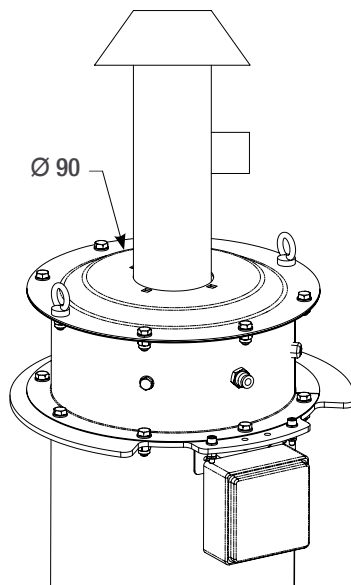


High-efficiency  
filter media compliant  
with international dust  
emission directives

## Accessories

### Pipe Connection Module

- Required for dust emission sampling connection or suction duct
- Robust powder-coated steel cover
- Easy replacement with weather protection cover



### Electronic Differential Pressure Meter



- Filter  $\Delta P$  continuously measured and displayed on 3-digit display;
- Cleaning activation through pressure threshold;
- Alarm pressure can switch on external device;
- 4-20 mA exit to read  $\Delta P$  value on plant PLC;
- Possible to retrofit on existing filters.

**Applications**



**Typical Application:**

- Venting of mechanically filled cement weigh hopper in concrete batching plant

For further information visit  
[www.wamgroup.com](http://www.wamgroup.com)



063001632 September 2012 Rights reserved to modify technical specifications.



**Silokonsult**  
**PROCESSTEKNIK SWEDEN AB**

Kämpagatan 1  
 SE-532 36 Skara  
 +46 511 10365  
 info@silokonsult.se  
 www.silokonsult.se



UNI EN ISO 9001  
 Certified Company

[www.wamgroup.com](http://www.wamgroup.com)