

Fan types JK-30MT - JK-100MT

Technical catalogue: Types JK-30MT - JK-100MT
 Section: 05
 Page: 1/9
 Revised: 01.06.2010

The indirect drive centrifugal fan types JK-30MT - JK-100MT are designed for transport of clean air.

Equipped with self-cleaning impellers with backward-inclined blades and aerodynamic intake. The impellers are statically and dynamically balanced.

The pulleys are shaft-mounted with taperlock bushing, allowing easy replacement for changed fan speed.

Max. operating temperature: 60°C

With cooling wings: Up to 200°C

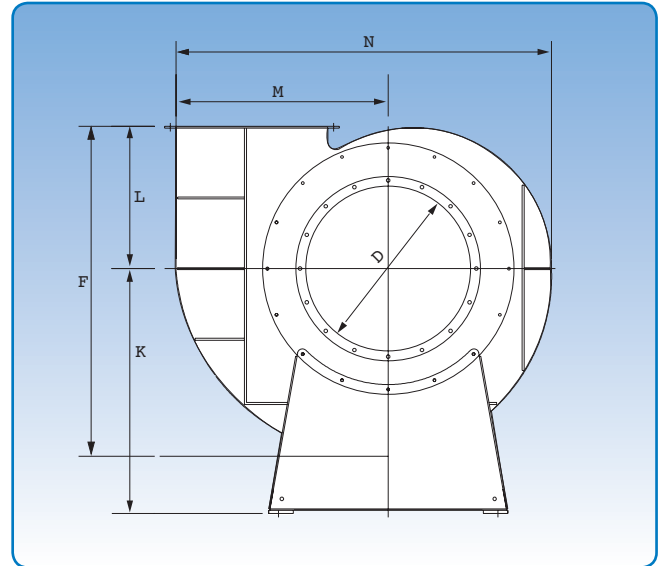
Available in anti-spark version with stainless steel inlet and explosion-proof (Ex) motor.

Dimensions (D) for the inlet are external. Supplied with flange as standard.

Belt drive is anti-static.

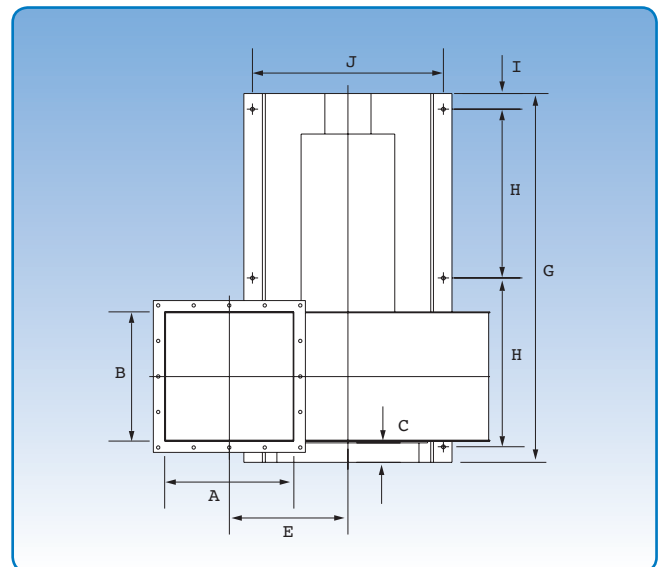
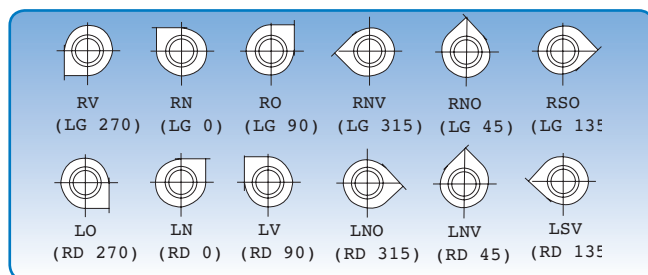
Specific dimensions for outlet and inlet flanges can be found under "Flanges".

The technical data for each type appears on the following pages.



Steel plate dimensions in mm

Type	JK-30MT - JK-60MT	JK-70MT - JK-90MT	JK-100MT
Impeller - standard	3	4	5
Fan housing - standard	3	3	3



6 positions. The position illustrations are viewed from the inlet side.

Type	Dimensions														Weight without motor kg
	A mm	B mm	C mm	D mm	E mm	F mm	G mm	H mm	I mm	J mm	K mm	L mm	M mm	N mm	
JK-30MT	250	250	75	300	318	650	880	370	55	430	550	275	450	775	142
JK-40MT	350	350	75	400	368	775	1128	494	55	550	650	325	550	925	226
JK-50MT	455	455	75	500	418	1000	1328	587	55	672	750	436	650	1150	343
JK-60MT	505	505	75	600	543	1186	1563	700	59	825	955	486	800	1400	554
JK-70MT	605	605	75	700	593	1360	1895	855	70	850	1125	566	900	1570	703
JK-80MT	705	705	75	800	643	1490	1995	905	70	850	1125	625	1000	1727	788
JK-90MT	805	805	75	900	723	1670	2310	1030	100	1070	1325	700	1130	1940	1189
JK-100MT	905	905	75	1000	793	1865	2410	1080	100	1070	1425	770	1250	2175	1295