

# High Speed Hammermills



Universal hammermills for continuous size reduction of feed components, grain, bran, legumes, oil seeds expeller, meat & bones, nut shells, fibrous products, paper, cellulose and many other products.

- Durable, easy to maintain
- Running smoothly
- Dynamically balanced rotor
- Operation bi- directional
- Easy screen change
- Easy beater change

Model Size	ATEX Category	VDK 4	VDK 5	LDE 5	LDX 5	VDK 7	LDE 7	LDX 8	VDK 9	LDE 9	LDX 10
VDK Screen change while grinder stands still	II 3 D	•	•			•			•		
LDE Screen change while grinder at no-load	II 3 D			•			•			•	
LDX Screen change while running no-load	On request				•			•			•

Speed 50/60Hz *)	rpm	3000/3600									
Chamber diameter	mm	680									
Screen width	mm	400	520			760			1000		
Screen area.	m <sup>2</sup>	0,6	0,80			1,18			1,54		
Maximum drive power	kW	90	110			160			200		

Dimensions excluding Motor											
Length	mm	1800	2100	2100	3000	2300	2300	3500	2640	2640	4500
Width	mm	1200	1200	1200	1080	1200	1200	1080	1200	1200	1080
Height	mm	1100	1195	1195	1140	1195	1195	1140	1195	1195	1140
Weight without Motor	kg	1350	1400	1450	1950	1550	1650	2450	1800	1950	3250

Typical drive power, kW, 3000 rpm										
Grinder size 4	45	55	75	90	110	132	160	200	250	
Grinder size 5	45	55	75	90	110	132	160	200	250	
Grinder size 7 and 8	45	55	75	90	110	132	160	200	250	
Grinder size 9 and 10	45	55	75	90	110	132	160	200	250	

\*) Speed available between 1000 and 3600 rpm.

= Range of el. drive      = most popular application

Standard execution	Supply includes								
<ul style="list-style-type: none"> <li>• Heavy duty steelwork housing,</li> <li>• Hard coated impact plates at both sides of inlet</li> <li>• Screen guide for screen change without tools,</li> <li>• Extra protected wear parts inside grinder</li> <li>• Catch trap inside grinder chamber</li> <li>• Bi-directional operation due to symmetric chamber</li> <li>• Sprayed colour RAL 7032 or RAL 1015</li> </ul>	<ul style="list-style-type: none"> <li>• Flexible coupling with guard</li> <li>• Anti vibration mountings</li> <li>• Counter flange with frame for grinder outlet</li> <li>• Set of special tools</li> <li>• Set of beaters and screens</li> </ul>								
	<table border="1"> <thead> <tr> <th>Type</th> <th>Screens supplied</th> </tr> </thead> <tbody> <tr> <td>VDK</td> <td>4 Screens, Standard-hole (diam. by choice)</td> </tr> <tr> <td>LDE</td> <td>4 Screen frames with screens fitted</td> </tr> <tr> <td>LDX</td> <td>4 Screen frames with screens fitted</td> </tr> </tbody> </table>	Type	Screens supplied	VDK	4 Screens, Standard-hole (diam. by choice)	LDE	4 Screen frames with screens fitted	LDX	4 Screen frames with screens fitted
Type	Screens supplied								
VDK	4 Screens, Standard-hole (diam. by choice)								
LDE	4 Screen frames with screens fitted								
LDX	4 Screen frames with screens fitted								

Optional Equipment
<ul style="list-style-type: none"> <li>• Door locking system according to EC regulations.</li> <li>• Bearing temperature guard (sensors build-in)</li> <li>• Chamber temperature guard (sensor build-in)</li> <li>• Beater changing device</li> </ul>

**ATEX Category:**  
**II 3 D**

**Shock pressure resistant:**  
**0,4 bar**  
or on request

## TIETJEN Verfahrenstechnik GmbH

Vor der Horst 6  
D-25485 Hemdingen  
Tel: +49 (0) 41 06 / 63 33-0  
Fax: +49 (0) 41 06 / 81 444  
E-mail: info@tietjen-tvt.com      Internet: www.tietjen-tvt.com

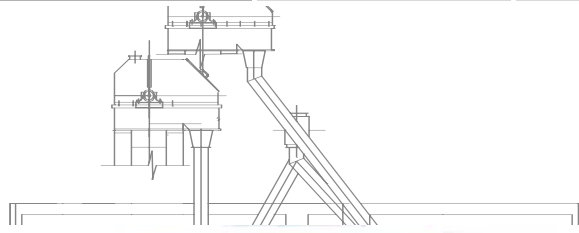
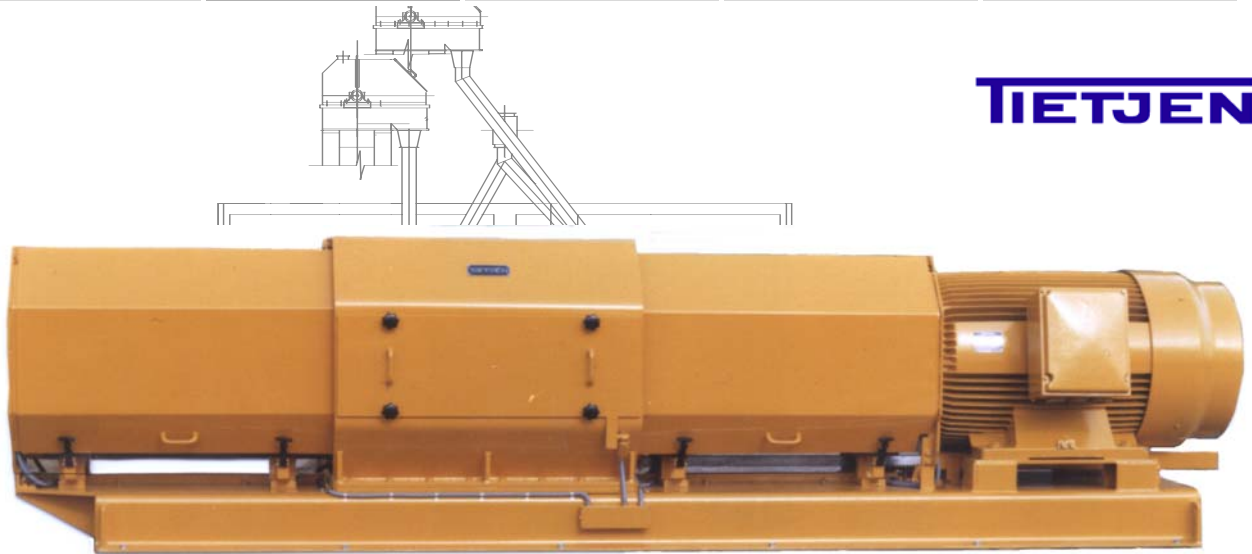
## Silokonsult AB

Kämpagatan 1  
532 36 SKARA  
Tfn: 0511-103 65  
Fax: 0511-103 66  
E-post: info@silokonsult.se  
www.silokonsult.se

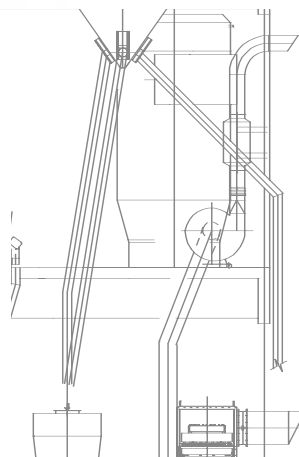
Hoppers	Feeder	Control panels	Steelwork	Air locks	Fans	Filters
---------	--------	----------------	-----------	-----------	------	---------

LARGE CHAMBER HAMMER MILLS	HIGH SPEED HAMMER MILLS	TURBO AUTOMATIC HAMMER MILLS	Wet grinding HAMMER MILLS	Straw MILLS
GD GDL GDY	VDK LDE LDX VL	M HM	VL-S NDK	SD

**TIETJEN**



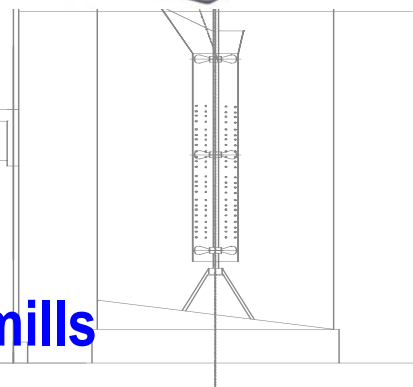
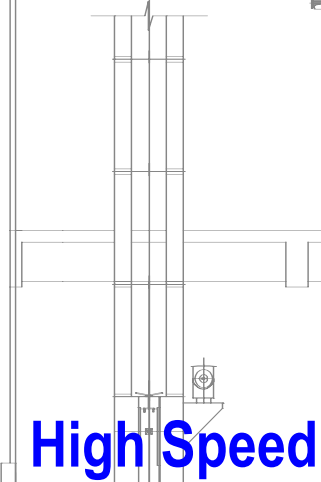
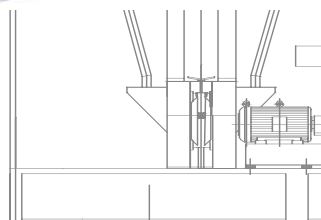
**LDX**



**LDE**



**VDK**



## High Speed Hammermills

Perfect in Size Reduction